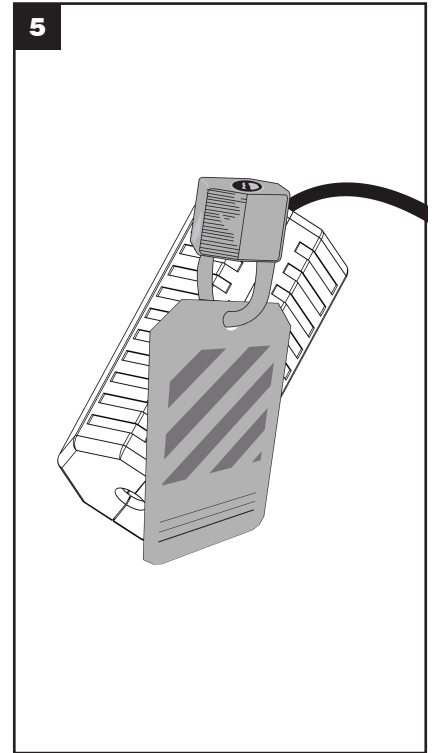
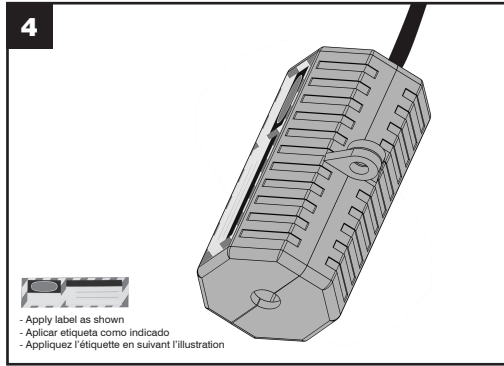
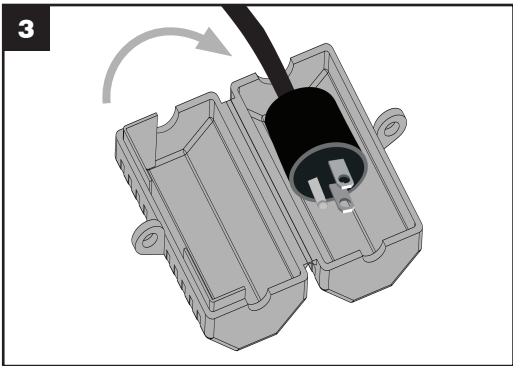
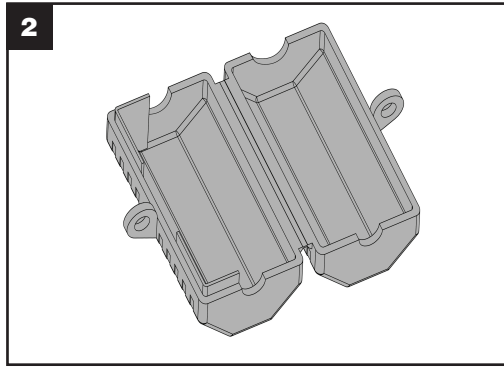
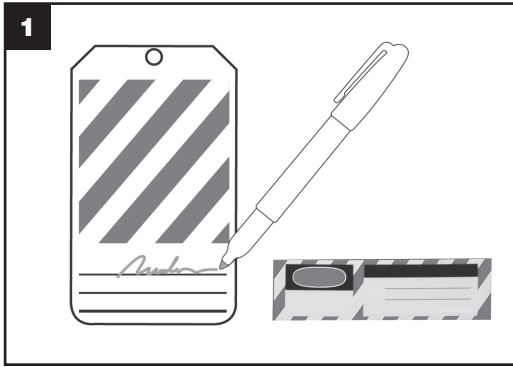


STOPOUT®

KDD230 | StopPlug™ Lockout | Etiquetado para bloqueo StopPlug™ | Verrouillage StopPlug™

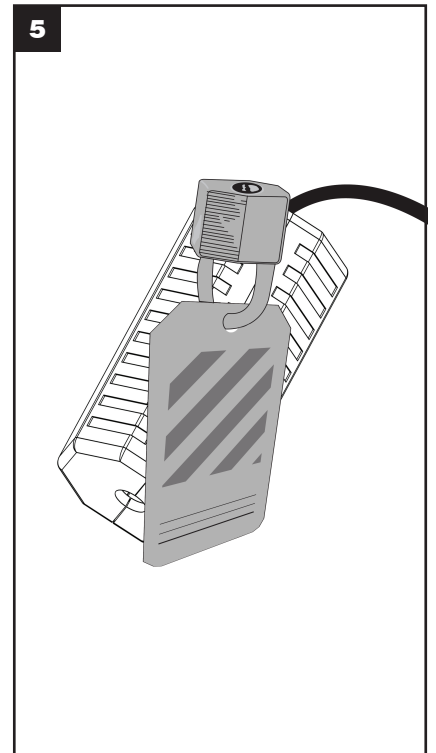
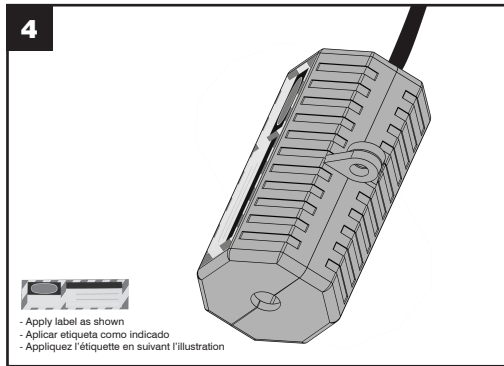
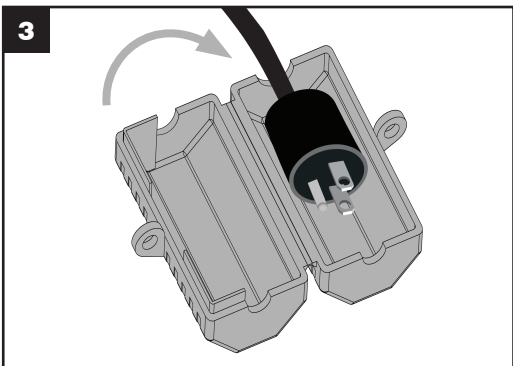
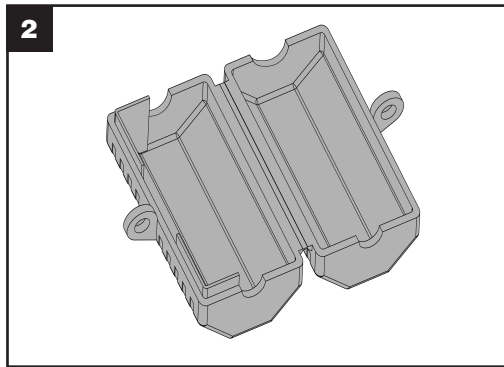
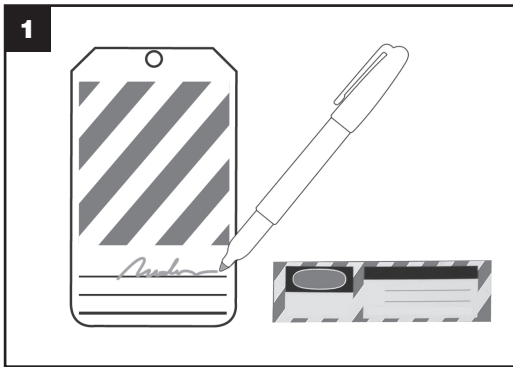


© ACCUFORM | KDD230INSTR

ACCUFORM® | 800.237.1001 | www.accuform.com

STOPOUT®

KDD230 | StopPlug™ Lockout | Etiquetado para bloqueo StopPlug™ | Verrouillage StopPlug™



© ACCUFORM | KDD230INSTR

ACCUFORM® | 800.237.1001 | www.accuform.com